

## ADVANCIA, Gas cooking unit, SMOOTH CHROMIUM PLANCHA

### SMOOTH CHROMIUM PLANCHA

B1A9CL4DG



3 mm Top



FlushTop



EasyCleaningSystem



Start&Cook



### ADVANCIA ASSETS

**3mmTop** : One piece 3mm thick stainless steel structure.

**FlushTop** : Module can be butt jointed.

**EasyCleaningSystem** : Cooking juices recovered via a removable container in the fascia.

**Start&Cook** : Electric spark ignition with pilot and thermocouple.

### GENERAL

- \* All stainless steel construction designed to avoid any infiltration.
- \* Unfailing sturdy equipment for direct wall fixation.
- \* Controls grouped together and recessed protecting them for impact and spillages.

### CHROMIUM PLANCHA

- \* Fitted with a 15mm thick smooth Martin steel plate, 735mm deep.
- \* Hard chroming of plate: to avoid delicate products sticking and to benefit from a hard surface which allows thorough cleaning with a scraper without the risk of the surface degrading.
- \* Stainless combustion chamber.
- \* Heated by micro perforated 2 burners ensuring even temperature and continuous production.
- \* Controlled by gas valves with a thermostat of 50 to 300°C.
- \* A channel for collecting the cooking juice at the front of the plate.

### OPTION

- \* One-piece wall or central top.

### ACCESSORIES

- \* See technical data : General features.

### STANDARDS : Compliance with standards

**EN 203-1**: European standard relating to the safety of gas appliances.

**EN 203-2-9**: European standard relating to the safety of gas appliances.

**EN 60335-2-36**: European standards relating to the safety of electric appliances. (French standards: Classification index C 73-836).

**IP 25 et IK 9**: Protection indexes.

**XP U 60-010**: Hygiene.



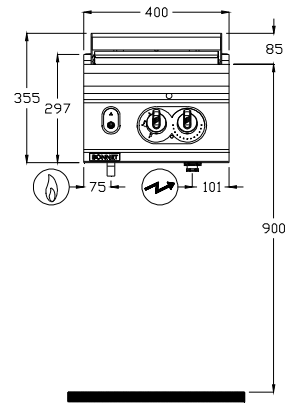
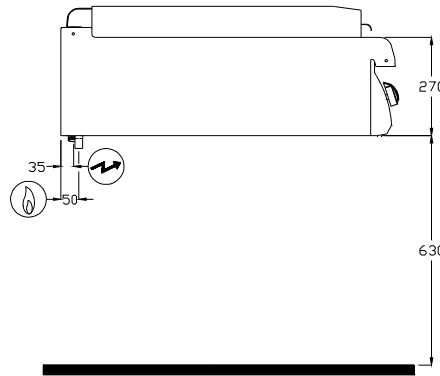
**BONNET GRANDE CUISINE**

**Registered office:**

Rue des Frères Lumière - Z.I Mitry Compans

F-77292 MITRY MORY Cedex

**B1A9CL4DG**

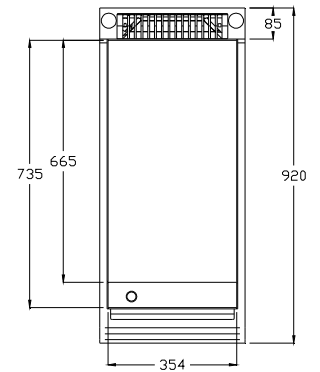


**Ⓒ GAS connection**

Gas inlet at 590mm from the floor  
As standard, the appliances are supplied for G 20/20 mbar (and G 25/25 mbar) or another gas on request

**Ⓒ ELECTRICAL connection**

Electric inlet at 615mm from the floor  
(Flexible cable 1.5 m in length)



**DIMENSIONS (mm)**

Width	400
Depth x Height	920 x 355
Plate	354 x 735
Useful surface (dm <sup>2</sup> )	23

**PACKAGING (mm)**

Width	540
Depth x Height	1060 x 700

**WEIGHT (KG)**

70

**COMPOSITION OF TOP**

Plate width 354	1
-----------------	---

**Ⓒ GAS**

Connection	Thread 15/21 mm (1/2 ")	
<b>Power (kW)</b>	<b>8.3</b>	
G31 Propane	37 <sup>±4</sup> /50 <sup>±5</sup> mbar (kg/h)	0.65
G30 Butane	28 <sup>±3</sup> /50 <sup>±5</sup> mbar (kg/h)	0.65
G20 Natural gas	20 <sup>±2</sup> mbar (m <sup>3</sup> /h)	0.88
G25 Natural gas	20 <sup>±2</sup> mbar (m <sup>3</sup> /h)	1.00
G25 Natural gas	25 <sup>±3</sup> mbar (m <sup>3</sup> /h)	1.00

**Ⓒ ELECTRICITY (kW) (Single-phase 230V)**

Voltage	230Va.c.
Power (kW)	0.1