

ADVANCIA, Electric cooking unit, SMOOTH CHROMIUM PLANCHA on open cupboard

SMOOTH CHROMIUM PLANCHA B1A9CL4PE



3 mm Top



FlushTop



EasyCleaningSystem



* Shown with door
kit Accessory

ADVANCIA ASSETS

3mmTop : One piece 3mm thick stainless steel structure.

FlushTop : Module can be butt jointed.

EasyCleaningSystem : Cooking juices recovered via a removable container in the fascia.

GENERAL

- * All stainless steel construction designed to avoid any infiltration.
- * Unfailing sturdy equipment for direct wall fixation.
- * Controls grouped together and recessed protecting them for impact and spillages.
- * Appliance delivered with 200mm fixed stand with 4 adjustable feet.

CHROMIUM PLANCHA

- * Fitted with a 15mm thick smooth Martin steel plate, 735mm deep.
- * Hard chroming of plate: to avoid delicate products sticking and to benefit from a hard surface which allows thorough cleaning with a scraper without the risk of the surface degrading.
- * Heated by a bank of contact elements surrounded by a stainless box with rockwool insulation.
- * Controlled by thermostat permits regulation of plate temperature from 50 to 270°C: 1 Control for 400 mm wide units.
- * A channel for collecting the cooking juice at the front of the plate.

OPEN CUPBOARD

- * Cupboard suitable for GN 1/1 cookware, stainless base with raised edges to prevent drips (400mm wide).

OPTION

- * One-piece wall or central top.

ACCESSORIES

- * See technical data : General features.


STANDARDS : Compliance with standards

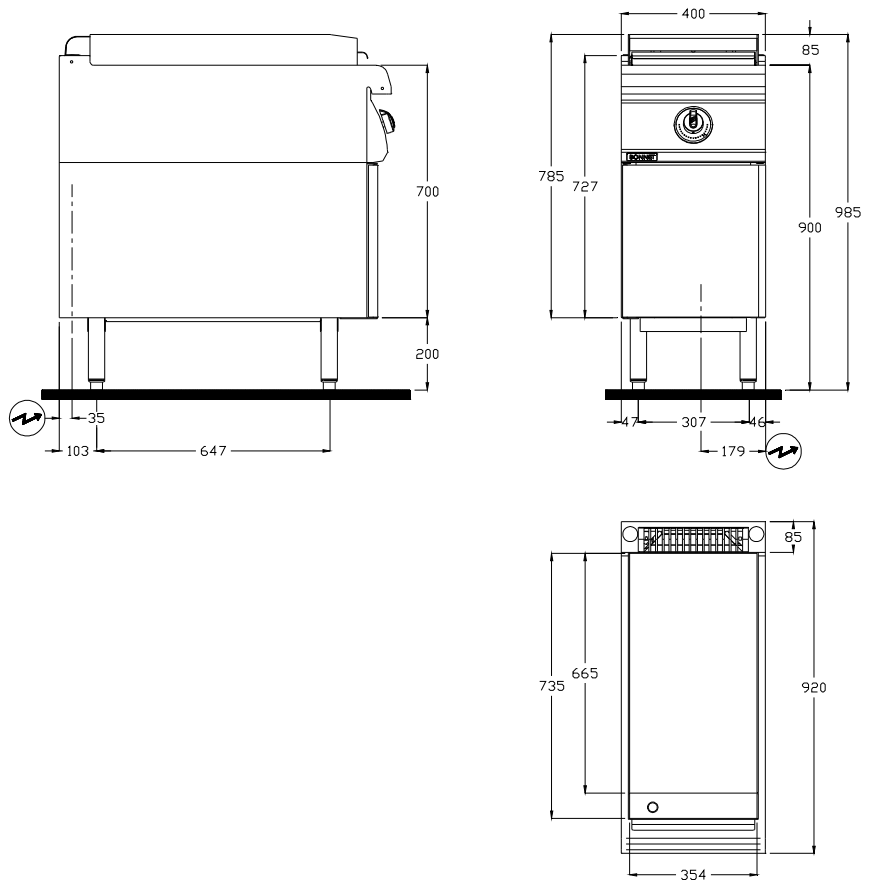
EN 60335-2-38 and EN 60335- 2-49: European standards relating to the safety of electric appliances. (French standards: Classification index C 73-838 and C 73-849).

IP 25 and IK 9: Protection indexes.

XP U 60-010: Hygiene.

B1A9CL4PE

 **ELECTRICAL connection**
 Electric inlet at 615mm from the floor
 (Flexible cable 1.5 m in length)


DIMENSIONS (mm)

Width	400
Depth x Height	920 x 985
Plate	354 x 735
Useful surface (dm ²)	23

PACKAGING (mm)

Width	540
Depth x Height	1060 x 1150

WEIGHT (KG)


70

COMPOSITION OF TOP

Plate width 354	1
-----------------	---

COMPOSITION OF THE BOTTOM PART

Width of cupboard	400
-------------------	-----

 **ELECTRICITY** (Three-phase 230V+E or 400V+N+E)

Appliance

Power (kW)	230V 3a.c.	5.4
	400V 3Na.c.	5.4
Max. Intensity (A)	230V 3a.c.	13.5
	400V 3Na.c.	7.8

Accessory cupboard heating kit (to be added to the total power of the appliance)

Power (kW)	230V 3a.c.	1
	400V 3Na.c.	1