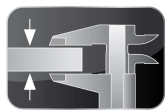


ADVANCIA, Electric cooking unit, SMOOTH CHROMIUM PLANCHA on cupboard

SMOOTH CHROMIUM PLANCHA B1A9CL8PE



3 mm Top



FlushTop



EasyCleaningSystem



ADVANCIA ASSETS

3mmTop : One piece 3mm thick stainless steel structure.

FlushTop : Module can be butt jointed.

EasyCleaningSystem : Cooking juices recovered via a removable container in the fascia.

GENERAL

- * All stainless steel construction designed to avoid any infiltration.
- * Unfailing sturdy equipment for direct wall fixation.
- * Controls grouped together and recessed protecting them for impact and spillages.
- * Appliance delivered with 200mm fixed stand with 4 adjustable feet.

CHROMIUM PLANCHA

- * Fitted with a 15mm thick smooth Martin steel plate, 735mm deep.
- * Hard chroming of plate: to avoid delicate products sticking and to benefit from a hard surface which allows thorough cleaning with a scraper without the risk of the surface degrading.
- * Heated by a bank of contact elements surrounded by a stainless box with rockwool insulation.
- * Controlled by thermostat permits regulation of plate temperature from 50 to 270°C: 2 independent controls.
- * A channel for collecting the cooking juice at the front of the plate.

CUPBOARD

- * Cupboard suitable for GN 1/1 cookware, stainless base with raised edges to prevent drips (800mm wide).
- * Door: 800mm wide (2 doors), double skinned stainless with magnetic closure.

OPTION

- * One-piece wall or central top.

ACCESSORIES

- * See technical data : General features.

STANDARDS : Compliance with standards

EN 60335-2-38 and EN 60335- 2-49: European standards relating to the safety of electric appliances. (French standards: Classification index C 73-838 and C 73-849).

IP 25 and IK 9: Protection indexes.

XP U 60-010: Hygiene.




BONNET GRANDE CUISINE

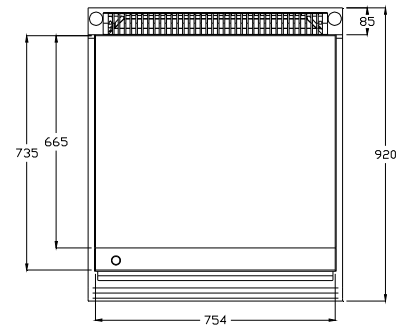
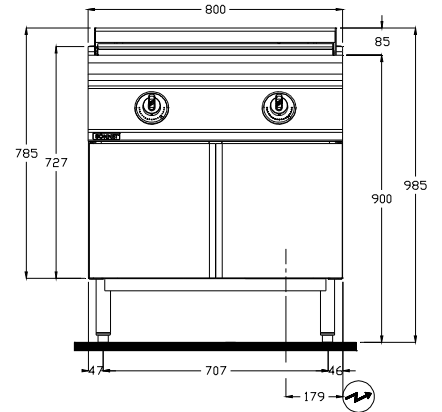
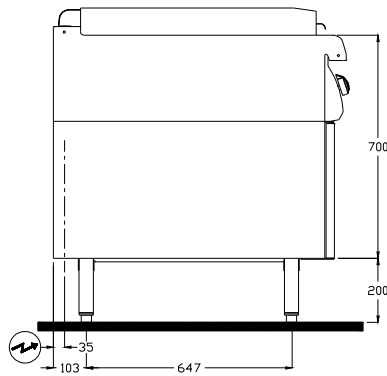
Registered office:

Rue des Frères Lumière - Z.I Mitry Compans

F-77292 MITRY MORY Cedex

B1A9CL8PE

 **ELECTRICAL connection**
Electric inlet at 615mm from the floor
(Flexible cable 1.5 m in length)



DIMENSIONS (mm)

| | |
|-----------------------------------|-----------|
| Width | 800 |
| Depth x Height | 920 x 985 |
| Plate | 754 x 735 |
| Useful surface (dm ²) | 50 |

PACKAGING (mm)

| | |
|----------------|-------------|
| Width | 940 |
| Depth x Height | 1060 x 1150 |

WEIGHT (KG)


145

COMPOSITION OF TOP

| | |
|-----------------|---|
| Plate width 754 | 1 |
|-----------------|---|

COMPOSITION OF THE BOTTOM PART

| | |
|-------------------|-----|
| Width of cupboard | 800 |
|-------------------|-----|

 **ELECTRICITY** (Three-phase 230V+E or 400V+N+E)

Appliance

| | | |
|--------------------|-------------|------|
| Power (kW) | 230V 3a.c. | 10.8 |
| | 400V 3Na.c. | 10.8 |
| Max. Intensity (A) | 230V 3a.c. | 27 |
| | 400V 3Na.c. | 15.6 |

Accessory cupboard heating kit (to be added to the total power of the appliance)

| | | |
|------------|-------------|---|
| Power (kW) | 230V 3a.c. | 2 |
| | 400V 3Na.c. | 2 |