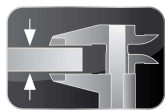


**ADVANCIA, Gas cooking unit, SMOOTH CHROMIUM PLANCHA on open cupboard****SMOOTH CHROMIUM PLANCHA**  
B1A9CL8PG**3 mm Top****FlushTop****EasyCleaningSystem****Start&Cook***\* Shown with door  
kit Accessory***ADVANCIA ASSETS****3mmTop** : One piece 3mm thick stainless steel structure.**FlushTop** : Module can be butt jointed.**EasyCleaningSystem** : Cooking juices recovered via a removable container in the fascia.**Start&Cook** : Electric spark ignition with pilot and thermocouple.**GENERAL**

- \* All stainless steel construction designed to avoid any infiltration.
- \* Unfailing sturdy equipment for direct wall fixation.
- \* Controls grouped together and recessed protecting them for impact and spillages.
- \* Appliance delivered with 200mm fixed stand with 4 adjustable feet.

**CHROMIUM PLANCHA**

- \* Fitted with a 15mm thick smooth Martin steel plate, 735mm deep.
- \* Hard chroming of plate: to avoid delicate products sticking and to benefit from a hard surface which allows thorough cleaning with a scraper without the risk of the surface degrading.
- \* Stainless combustion chamber.
- \* Heated by micro perforated 4 burners ensuring even temperature and continuous production.
- \* Controlled by gas valves with a thermostat of 50 to 300°C. 2 independent controls.
- \* A channel for collecting the cooking juice at the front of the plate.

**OPEN CUPBOARD**

- \* Cupboard suitable for GN 1/1 cookware, stainless base with raised edges to prevent drips (800mm wide).

**OPTION**

- \* One-piece wall or central top.

**ACCESSORIES**

- \* See technical data : General features.

**STANDARDS : Compliance with standards****EN 203-1**: European standard relating to the safety of gas appliances.**EN 203-2-9**: European standard relating to the safety of gas appliances.**EN 60335-2-36 and EN 60335-2-49**: European standards relating to the safety of electric appliances. (French standards: Classification index C 73-836 and C 73-849).**IP 25 et IK 9**: Protection indexes.**XP U 60-010**: Hygiene.





**BONNET GRANDE CUISINE**

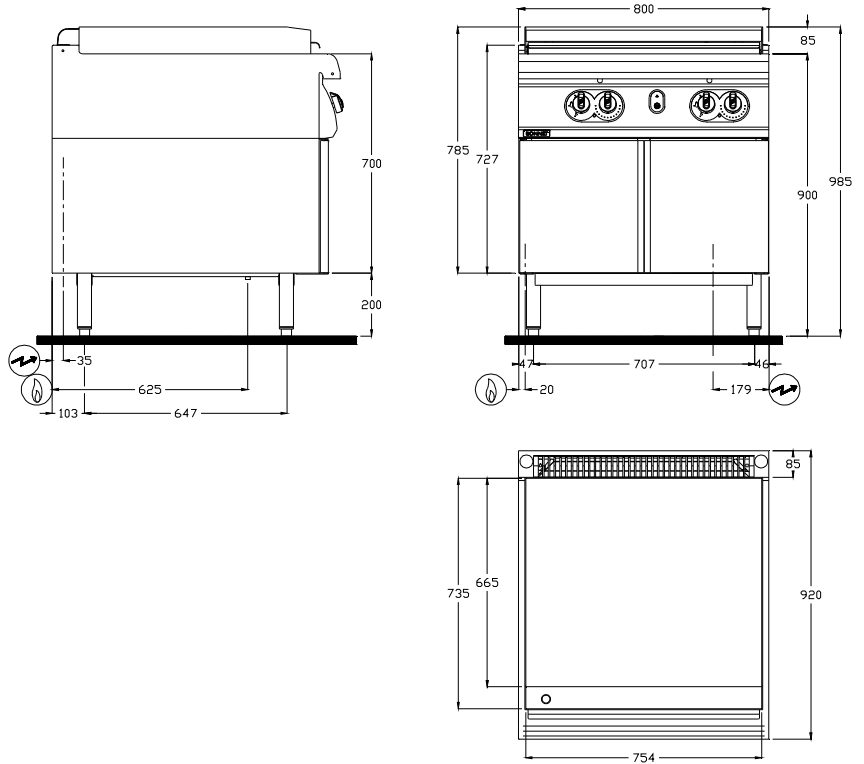
**Registered office:**

Rue des Frères Lumière - Z.I Mitry Compans

F-77292 MITRY MORY Cedex

**B1A9CL8PG**

-  **GAS connection**  
Gas inlet at 180mm from the floor  
As standard, the appliances are supplied for G 20/20 mbar (and G 25/25 mbar) or another gas on request
-  **ELECTRICAL connection**  
Electric inlet at 615mm from the floor  
(Flexible cable 1.5 m in length)



**DIMENSIONS (mm)**

Width	800
Depth x Height	920 x 985
Plate	754 x 735
Useful surface (dm <sup>2</sup> )	50

**PACKAGING (mm)**

Width	940
Depth x Height	1060 x 1150

**WEIGHT (KG)**

120

**COMPOSITION OF TOP**


Plate width 754	1
-----------------	---

**COMPOSITION OF THE BOTTOM PART**

Width of cupboard	800
-------------------	-----

 **GAS**

Connection	Thread 15/21 mm (1/2 ")	
<b>Power (kW)</b>	<b>16.6</b>	
G31 Propane	37 <sup>±4</sup> /50 <sup>±5</sup> mbar (kg/h)	1.29
G30 Butane	28 <sup>±3</sup> /50 <sup>±5</sup> mbar (kg/h)	1.31
G20 Natural gas	20 <sup>±2</sup> mbar (m <sup>3</sup> /h)	1.76
G25 Natural gas	20 <sup>±2</sup> mbar (m <sup>3</sup> /h)	2.00
G25 Natural gas	25 <sup>±3</sup> mbar (m <sup>3</sup> /h)	2.00

 **ELECTRICITY (kW) (Single-phase 230V)**

Power	230V a.c.	0.1
Accessory cupboard heating kit		2