

## ADVANCIA, Electric cooking top, 2 ELECTRIC RINGS

### 2 ELECTRIC RINGS

B1A9PE4DE



3 mm Top



FlushTop



### ADVANCIA ASSETS

**3mmTop** : One piece 3mm thick stainless steel structure.

**FlushTop** : Module can be butt jointed.

### GENERAL

- \* All stainless steel construction designed to avoid any infiltration.
- \* Unfailing sturdy equipment for direct wall fixation.
- \* Controls grouped together and recessed protecting them for impact and spillages.

### ELECTRIC RINGS

- \* One piece pressed top fitted with 2 cast iron rapid heat rings 310mm diameter.
- \* Each ring is controlled by a 6 position switch and has an indicator light.
- \* High limit thermostat built into each ring.

### ACCESSORIES

- \* See technical data : General features.

### STANDARDS : Compliance with standards

**EN 60335-2-36**: European standards relating to the safety of electric appliances.

(French standards: Classification index C 73-847).

**IP 25 et IK 9**: Protection indexes.

**XP U 60-010**: Hygiene.



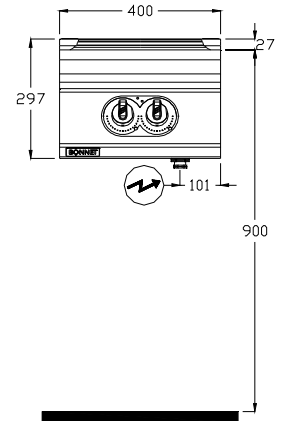
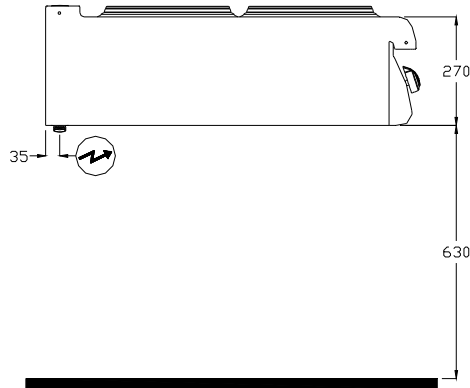
**BONNET GRANDE CUISINE**


**Registered office:**

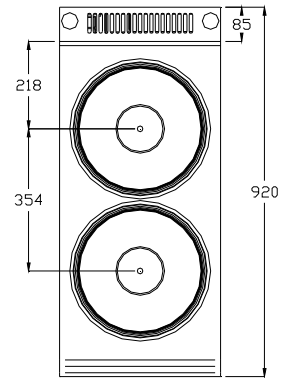
Rue des Frères Lumière - Z.I Mitry Compans

F-77292 MITRY MORY Cedex

**B1A9PE4DE**



 **ELECTRICAL connection**  
Electric inlet at 615mm from the floor  
(Flexible cable 1.5 m in length)



**DIMENSIONS (mm)**

Width	400
Depth x Height	920 x 297
Diameter of plate	310

**PACKAGING (mm)**


Width	540
Depth x Height	1060 x 700

**WEIGHT (KG)**

50

**COMPOSITION OF TOP**

Round plates 3.5 kW	2
---------------------	---

 **ELECTRICITY** (Three-phase 230V+E or 400V+N+E)

Power (kW)	230V 3a.c.	7
	400V 3Na.c.	7
Max. Intensity (A)	230V 3a.c.	26.4
	400V 3Na.c.	15.2