

ADVANCIA, Gas cooking top, SMOOTH PLANCHA

SMOOTH PLANCHA B1A9PL8DG



3 mm Top



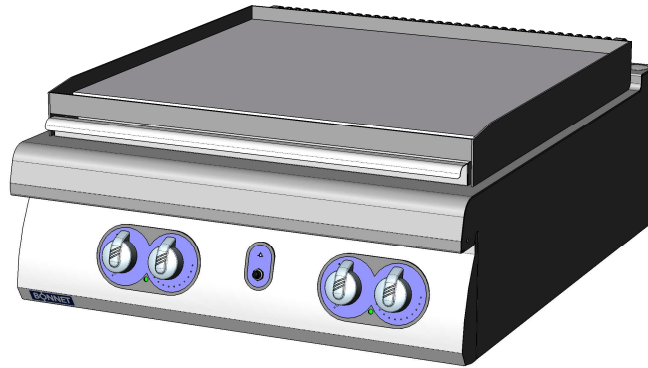
FlushTop



EasyCleaningSystem



Start&Cook



ADVANCIA ASSETS

3mmTop : One piece 3mm thick stainless steel structure.

FlushTop : Module can be butt jointed.

EasyCleaningSystem : Cooking juices recovered via a removable container in the fascia.

Start&Cook : Electric spark ignition with pilot and thermocouple.

GENERAL

- * All stainless steel construction designed to avoid any infiltration.
- * Unfailing sturdy equipment for direct wall fixation.
- * Controls grouped together and recessed protecting them for impact and spillages.

PLANCHA

- * Fitted with a 15mm thick smooth Martin steel plate, 735mm deep.
- * Stainless combustion chamber.
- * Heated by micro perforated 4 burners ensuring even temperature and continuous production.
- * Controlled by gas valves with a thermostat of 100 to 350°C. 2 independent controls.
- * A channel for collecting the cooking juice at the front of the plate.

OPTION

- * One-piece wall or central top.

ACCESSORIES

- * See technical data : General features.

STANDARDS : Compliance with standards

EN 203-1: European standard relating to the safety of gas appliances.

EN 203-2-9: European standard relating to the safety of gas appliances.

EN 60335-2-36: European standards relating to the safety of electric appliances.
(French standards: Classification index C 73-836).

IP 25 et IK 9: Protection indexes.

XP U 60-010: Hygiene.



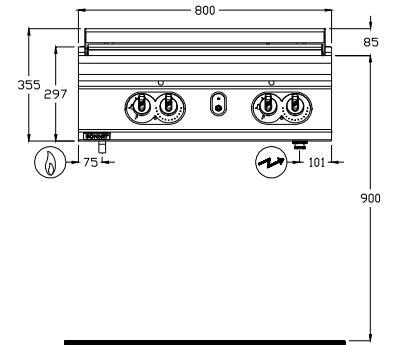
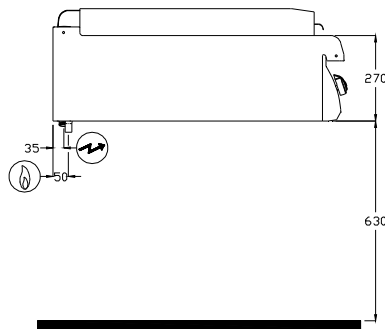
BONNET GRANDE CUISINE

Registered office:

Rue des Frères Lumière - Z.I Mitry Compans

F-77292 MITRY MORY Cedex

B1A9PL8DG

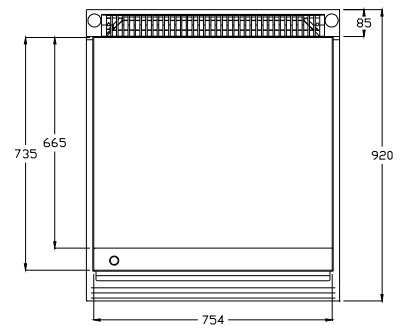


Ⓒ GAS connection

Gas inlet at 590mm from the floor
As standard, the appliances are supplied for G 20/20 mbar (and G 25/25 mbar) or another gas on request

Ⓒ ELECTRICAL connection

Electric inlet at 615mm from the floor
(Flexible cable 1.5 m in length)



DIMENSIONS (mm)

| | |
|-----------------------------------|-----------|
| Width | 800 |
| Depth x Height | 920 x 355 |
| Plate | 754 x 735 |
| Useful surface (dm ²) | 50 |

PACKAGING (mm)

| | |
|----------------|------------|
| Width | 940 |
| Depth x Height | 1060 x 700 |

WEIGHT (KG)

110

COMPOSITION OF TOP

| | |
|-----------------|---|
| Plate width 754 | 1 |
|-----------------|---|

Ⓒ GAS

| | |
|-------------------|--|
| Connection | Thread 15/21 mm (1/2") |
| Power (kW) | 16.6 |
| G31 Propane | 37 ^{±4} /50 ^{±5} mbar (kg/h) |
| G30 Butane | 28 ^{±3} /50 ^{±5} mbar (kg/h) |
| G20 Natural gas | 20 ^{±2} mbar (m ³ /h) |
| G25 Natural gas | 20 ^{±2} mbar (m ³ /h) |
| G25 Natural gas | 25 ^{±3} mbar (m ³ /h) |

Ⓒ ELECTRICITY (kW) (Single-phase 230V)

| | |
|------------|-----------|
| Voltage | 230V a.c. |
| Power (kW) | 0.1 |