

ADVANCIA, Electric cooking unit, SMOOTH PLANCHA on open cupboard

SMOOTH PLANCHA B1A9PL8PE



3 mm Top



FlushTop



EasyCleaningSystem



* Shown with door
kit Accessory

ADVANCIA ASSETS

3mmTop : One piece 3mm thick stainless steel structure.

FlushTop : Module can be butt jointed.

EasyCleaningSystem : Cooking juices recovered via a removable container in the fascia.

GENERAL

- * All stainless steel construction designed to avoid any infiltration.
- * Unfailing sturdy equipment for direct wall fixation.
- * Controls grouped together and recessed protecting them for impact and spillages.
- * Appliance delivered with 200mm fixed stand with 4 adjustable feet.

PLANCHA

- * Fitted with a 15mm thick smooth Martin steel plate, 735mm deep.
- * Heated by a bank of contact elements surrounded by a stainless box with rockwool insulation.
- * Controlled by thermostat permits regulation of plate temperature from 100 to 350°C: 2 independent controls.
- * A channel for collecting the cooking juice at the front of the plate.

OPEN CUPBOARD

- * Cupboard suitable for GN 1/1 cookware, stainless base with raised edges to prevent drips (800mm wide).

OPTION

- * One-piece wall or central top.

ACCESSORIES

- * See technical data : General features.

STANDARDS : Compliance with standards

EN 60335-2-38 and EN 60335-2-49: European standards relating to the safety of electric appliances. (French standards: Classification index C 73-838 and C 73-849).

IP 25 and IK 9: Protection indexes.

XP U 60-010: Hygiene.



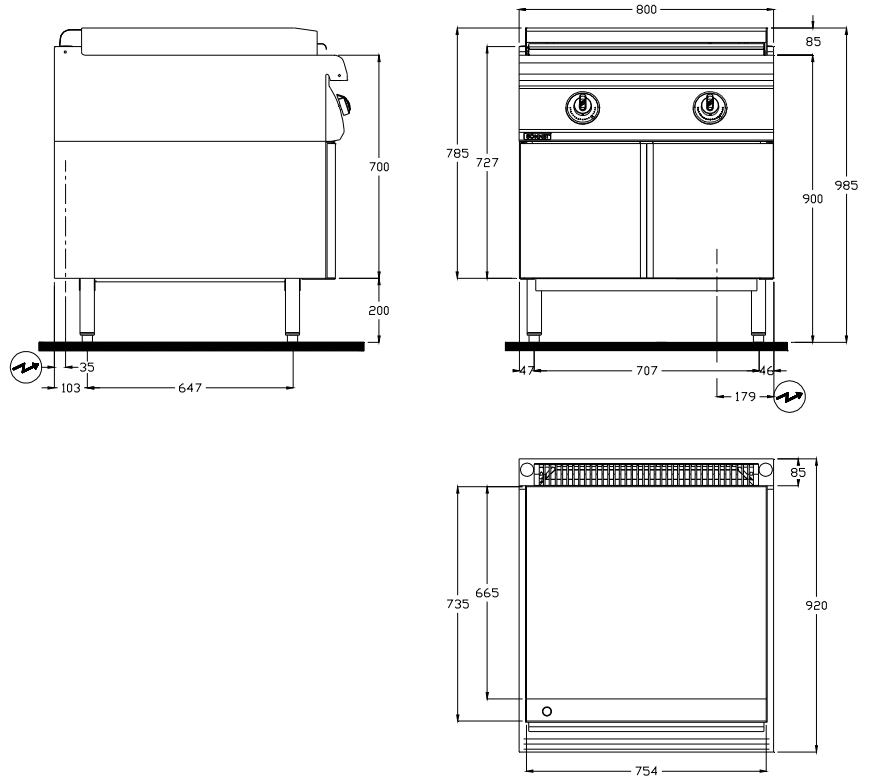
BONNET GRANDE CUISINE

Siège social:

Rue des Frères Lumière - Z.I Mitry Compans

77292 MITRY MORY Cedex

B1A9PL8PE



ELECTRICAL connection
Electric inlet at 615mm from the floor
(Flexible cable 1.5 m in length)

DIMENSIONS (mm)

Width	800
Depth x Height	920 x 985
Plate	754 x 735
Useful surface (dm ²)	50

PACKAGING (mm)

Width	940
Depth x Height	1060 x 1150

WEIGHT (KG)

145

COMPOSITION OF TOP

Plate width 754	1
-----------------	---

COMPOSITION OF THE BOTTOM PART

Width of cupboard	800
-------------------	-----

ELECTRICITY (Three-phase 230V+E or 400V+N+E)

Appliance

Power (kW)	230V 3a.c.	10.8
	400V 3Na.c.	10.8
Max. Intensity (A)	230V 3a.c.	27
	400V 3Na.c.	15.6

Accessory cupboard heating kit (to be added to the total power of the appliance)

Power (kW)	230V 3a.c.	2
	400V 3Na.c.	2