

AVANCIA, Gas cooking unit, SMOOTH PLANCHA on open cupboard**SMOOTH PLANCHA
B1A9PL8PG****3 mm Top****FlushTop****EasyCleaningSystem****Start&Cook**** Shown with door
kit Accessory***AVANCIA ASSETS****3mmTop** : One piece 3mm thick stainless steel structure.**FlushTop** : Module can be butt jointed.**EasyCleaningSystem** : Cooking juices recovered via a removable container in the fascia.**Start&Cook** : Electric spark ignition with pilot and thermocouple.**GENERAL**

- * All stainless steel construction designed to avoid any infiltration.
- * Unfailing sturdy equipment for direct wall fixation.
- * Controls grouped together and recessed protecting them for impact and spillages.
- * Appliance delivered with 200mm fixed stand with 4 adjustable feet.

PLANCHA

- * Fitted with a 15mm thick smooth Martin steel plate, 735mm deep.
- * Stainless combustion chamber.
- * Heated by micro perforated 4 burners ensuring even temperature and continuous production.
- * Controlled by gas valves with a thermostat of 100 to 350°C. 2 independent controls.
- * A channel for collecting the cooking juice at the front of the plate.

OPEN CUPBOARD

- * Cupboard suitable for GN 1/1 cookware, stainless base with raised edges to prevent drips (800mm wide).

OPTION

- * One-piece wall or central top.

ACCESSORIES

- * See technical data : General features.

STANDARDS : Compliance with standards**EN 203-1**: European standard relating to the safety of gas appliances.**EN 203-2-9**: European standard relating to the safety of gas appliances.**EN 60335-2-36 and EN 60335-2-49**: European standards relating to the safety of electric appliances. (French standards: Classification index C 73-836 and C 73-849).**IP 25 et IK 9**: Protection indexes.**XP U 60-010**: Hygiene.





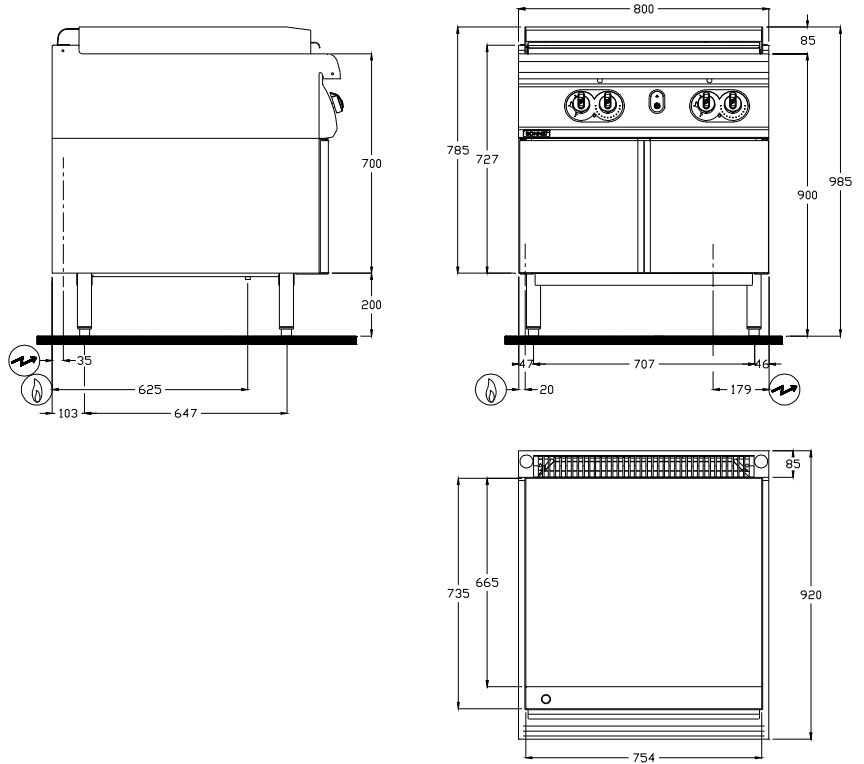
BONNET GRANDE CUISINE

Registered office:

Rue des Frères Lumière - Z.I Mitry Compans
F-77292 MITRY MORY Cedex

B1A9PL8PG

-  **GAS connection**
Gas inlet at 180mm from the floor
As standard, the appliances are supplied for G 20/20 mbar (and G 25/25 mbar) or another gas on request
-  **ELECTRICAL connection**
Electric inlet at 615mm from the floor
(Flexible cable 1.5 m in length)



DIMENSIONS (mm)

Width	800
Depth x Height	920 x 985
Plate	754 x 735
Useful surface (dm ²)	50

PACKAGING (mm)

Width	940
Depth x Height	1060 x 1150

WEIGHT (KG)

120

COMPOSITION OF TOP


Plate width 754	1
-----------------	---

COMPOSITION OF THE BOTTOM PART

Width of cupboard	800
-------------------	-----

 **GAS**

Connection	Thread 15/21 mm (1/2")	
Power (kW)	16.6	
G31 Propane	37 ^{±4} /50 ^{±5} mbar (kg/h)	1.29
G30 Butane	28 ^{±3} /50 ^{±5} mbar (kg/h)	1.31
G20 Natural gas	20 ^{±2} mbar (m ³ /h)	1.76
G25 Natural gas	20 ^{±2} mbar (m ³ /h)	2.00
G25 Natural gas	25 ^{±3} mbar (m ³ /h)	2.00

 **ELECTRICITY (kW) (Single-phase 230V)**

Power	230V a.c.	0.1
Accessory cupboard heating kit		1