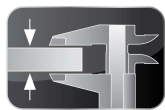
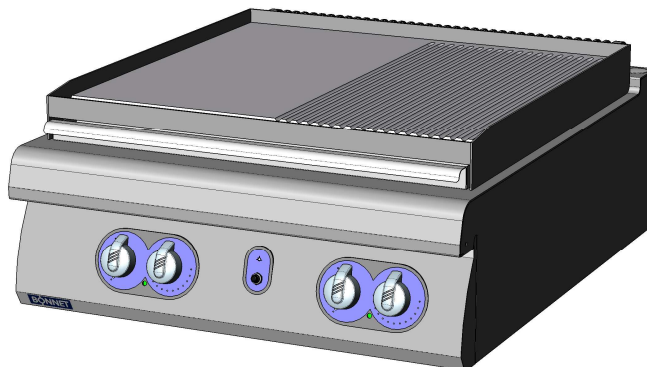


## ADVANCIA, Gas cooking top, MIXED (smooth & ribbed) PLANCHA

### MIXED (smooth & ribbed) PLANCHA B1A9PM8DG

**3 mm Top****FlushTop****EasyCleaningSystem****Start&Cook**

### ADVANCIA ASSETS

**3mmTop** : One piece 3mm thick stainless steel structure.

**FlushTop** : Module can be butt jointed.

**EasyCleaningSystem** : Cooking juices recovered via a removable container in the fascia.

**Start&Cook** : Electric spark ignition with pilot and thermocouple.

### GENERAL

- \* All stainless steel construction designed to avoid any infiltration.
- \* Unfailing sturdy equipment for direct wall fixation.
- \* Controls grouped together and recessed protecting them for impact and spillages.

### PLANCHA

- \* Fitted with a 15mm thick mixed (½ ribbed to the right) Martin steel plate, 735mm deep.
- \* Stainless combustion chamber.
- \* Heated by micro perforated 4 burners ensuring even temperature and continuous production.
- \* Controlled by gas valves with a thermostat of 100 to 350°C.
- \* A channel for collecting the cooking juice at the front of the plate.
- \* Delivered with a shaped spatula for cleaning the ribbed section.

### OPTION

- \* One-piece wall or central top.

### ACCESSORIES

- \* See technical data : General features.

### STANDARDS : Compliance with standards

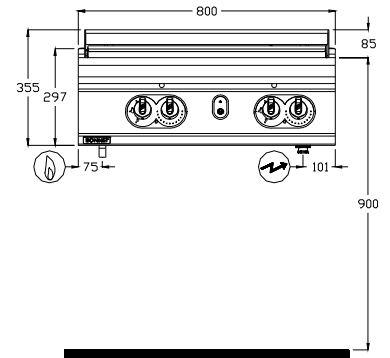
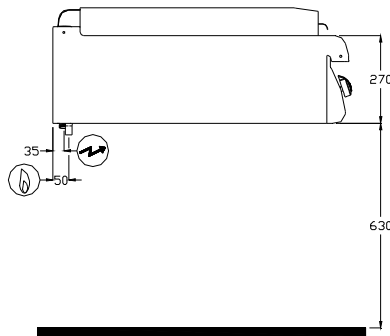
**EN 203-1**: European standard relating to the safety of gas appliances.

**EN 203-2-9**: European standard relating to the safety of gas appliances.

**EN 60335-2-36**: European standards relating to the safety of electric appliances.  
(French standards: Classification index C 73-836).

**IP 25 et IK 9**: Protection indexes.

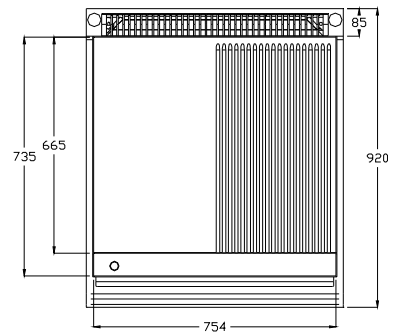
**XP U 60-010**: Hygiene.

**B1A9PM8DG**

**Ⓔ GAS connection**

Gas inlet at 590mm from the floor  
 As standard, the appliances are supplied for G 20/20 mbar (and G 25/25 mbar) or another gas on request

**Ⓔ ELECTRICAL connection**

Electric inlet at 615mm from the floor  
 (Flexible cable 1.5 m in length)


**DIMENSIONS (mm)**

Width	800
Depth x Height	920 x 355
Plate	754 x 735
Useful surface (dm <sup>2</sup> )	50

**PACKAGING (mm)**

Width	940
Depth x Height	1060 x 700

**WEIGHT (KG)**

110

**COMPOSITION OF TOP**

Plate width 754	1
-----------------	---

**Ⓔ GAS**

Connection		Thread 15/21 mm (1/2")
<b>Power (kW)</b>		<b>16.6</b>
G31 Propane	37 <sup>±4</sup> /50 <sup>±5</sup> mbar (kg/h)	1.29
G30 Butane	28 <sup>±3</sup> /50 <sup>±5</sup> mbar (kg/h)	1.31
G20 Natural gas	20 <sup>±2</sup> mbar (m <sup>3</sup> /h)	1.76
G25 Natural gas	20 <sup>±2</sup> mbar (m <sup>3</sup> /h)	2.00
G25 Natural gas	25 <sup>±3</sup> mbar (m <sup>3</sup> /h)	2.00

**Ⓔ ELECTRICITY (kW) (Single-phase 230V)**

Voltage	230V a.c.
Power (kW)	0.1