

ADVANCIA, Gas cooking top, RIBBED PLANCHA

RIBBED PLANCHA B1A9PR4DG



3 mm Top



FlushTop



EasyCleaningSystem



Start&Cook



ADVANCIA ASSETS

3mmTop : One piece 3mm thick stainless steel structure.

FlushTop : Module can be butt jointed.

EasyCleaningSystem : Cooking juices recovered via a removable container in the fascia.

Start&Cook : Electric spark ignition with pilot and thermocouple.

GENERAL

- * All stainless steel construction designed to avoid any infiltration.
- * Unfailing sturdy equipment for direct wall fixation.
- * Controls grouped together and recessed protecting them for impact and spillages.

PLANCHA

- * Fitted with a 15mm thick ribbed Martin steel plate, 735mm deep.
- * Stainless combustion chamber.
- * Heated by micro perforated 2 burners ensuring even temperature and continuous production.
- * Controlled by gas valves with a thermostat of 100 to 350°C.
- * A channel for collecting the cooking juice at the front of the plate.
- * Delivered with a shaped spatula for cleaning the ribbed section.

OPTION

- * One-piece wall or central top.

ACCESSORIES

- * See technical data : General features.

STANDARDS : Compliance with standards

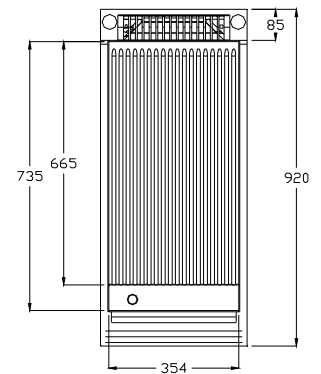
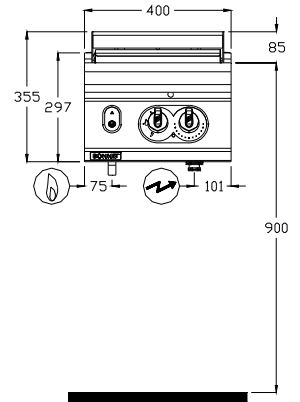
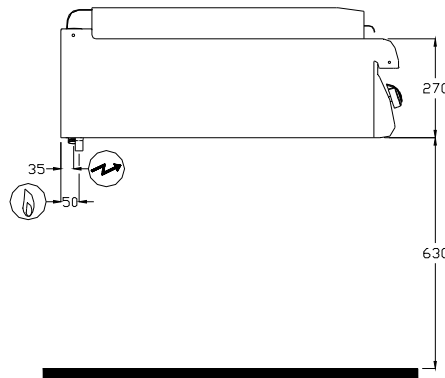
EN 203-1: European standard relating to the safety of gas appliances.



EN 203-2-9: European standard relating to the safety of gas appliances.

EN 60335-2-36: European standards relating to the safety of electric appliances.
(French standards: Classification index C 73-836).

IP 25 et IK 9: Protection indexes.

XP U 60-010: Hygiene.

B1A9PR4DG


-  **GAS connection**
 Gas inlet at 590mm from the floor
 As standard, the appliances are supplied for G 20/20 mbar (and G 25/25 mbar) or another gas on request
-  **ELECTRICAL connection**
 Electric inlet at 615mm from the floor
 (Flexible cable 1.5 m in length)

DIMENSIONS (mm)

| | |
|-----------------------------------|-----------|
| Width | 400 |
| Depth x Height | 920 x 355 |
| Plate | 354 x 735 |
| Useful surface (dm ²) | 23 |

PACKAGING (mm)

| | |
|----------------|------------|
| Width | 540 |
| Depth x Height | 1060 x 700 |

WEIGHT (KG)


70

COMPOSITION OF TOP

| | |
|-----------------|---|
| Plate width 354 | 1 |
|-----------------|---|

 **GAS**

| | | |
|-------------------|--|------|
| Connection | Thread 15/21 mm | |
| Power (kW) | 8.3 | |
| G31 Propane | 37 ^{±4} /50 ^{±5} mbar (kg/h) | 0.65 |
| G30 Butane | 28 ^{±3} /50 ^{±5} mbar (kg/h) | 0.65 |
| G20 Natural gas | 20 ^{±2} mbar (m ³ /h) | 0.88 |
| G25 Natural gas | 20 ^{±2} mbar (m ³ /h) | 1.00 |
| G25 Natural gas | 25 ^{±3} mbar (m ³ /h) | 1.00 |

 **ELECTRICITY (kW) (Single-phase 230V)**

| | |
|------------|-----------|
| Voltage | 230V a.c. |
| Power (kW) | 0.1 |