

## ADVANCIA, Electric cooking unit, RIBBED PLANCHA on open cupboard



3 mm Top



FlushTop



EasyCleaningSystem

### RIBBED PLANCHA B1A9PR4PE



\* Shown with door  
kit Accessory

### ADVANCIA ASSETS

**3mmTop** : One piece 3mm thick stainless steel structure.

**FlushTop** : Module can be butt jointed.

**EasyCleaningSystem** : Cooking juices recovered via a removable container in the fascia.

### GENERAL

- \* All stainless steel construction designed to avoid any infiltration.
- \* Unfailing sturdy equipment for direct wall fixation.
- \* Controls grouped together and recessed protecting them for impact and spillages.
- \* Appliance delivered with 200mm fixed stand with 4 adjustable feet.

### PLANCHA

- \* Fitted with a 15mm thick ribbed Martin steel plate, 735mm deep.
- \* Heated by a bank of contact elements surrounded by a stainless box with rockwool insulation.
- \* Controlled by thermostat permits regulation of plate temperature from 100 to 350°C: 1 Control for 400mm wide units.
- \* A channel for collecting the cooking juice at the front of the plate.
- \* Delivered with a shaped spatula for cleaning the ribbed section.

### OPEN CUPBOARD

- \* Cupboard suitable for GN 1/1 cookware, stainless base with raised edges to prevent drips (400mm wide).

### OPTION

- \* One-piece wall or central top.

### ACCESSORIES

- \* See technical data : General features.

### STANDARDS : Compliance with standards

**EN 60335-2-38 and EN 60335-2-49**: European standards relating to the safety of electric appliances. (French standards: Classification index C 73-838 and C 73-849).

**IP 25 and IK 9**: Protection indexes.

**XP U 60-010**: Hygiene.

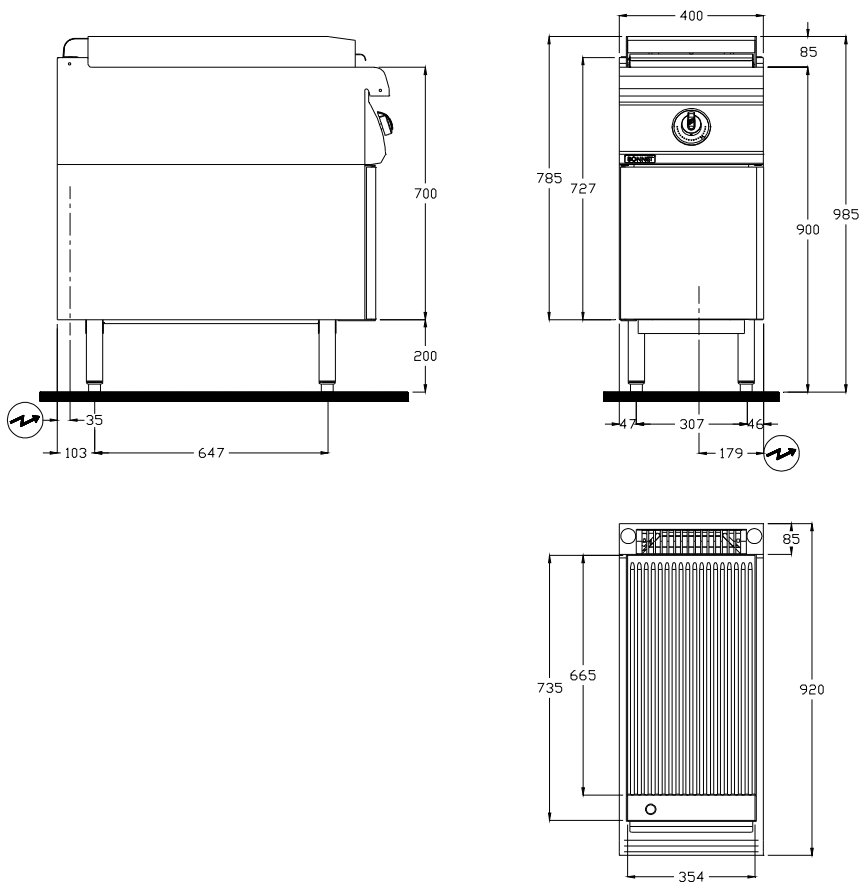


**BONNET GRANDE CUISINE**

**Registered office:**

Rue des Frères Lumière - Z.I Mitry Compans  
F-77292 MITRY MORY Cedex

**B1A9PR4PE**



**ELECTRICAL connection**  
Electric inlet at 615mm from the floor  
(Flexible cable 1.5 m in length)

**DIMENSIONS (mm)**

Width	400
Depth x Height	920 x 985
Plate	354 x 735
Useful surface (dm <sup>2</sup> )	23

**PACKAGING (mm)**

Width	540
Depth x Height	1060 x 1150

**WEIGHT (KG)**

70

**COMPOSITION OF TOP**

Plate width 354	1
-----------------	---

**COMPOSITION OF THE BOTTOM PART**

Width of cupboard	400
-------------------	-----

**ELECTRICITY (Three-phase 230V+E or 400V+N+E)**

**Appliance**

Power (kW)	230V 3a.c.	5.4
	400V 3Na.c.	5.4
Max. Intensity (A)	230V 3a.c.	13.5
	400V 3Na.c.	7.8

**Accessory cupboard heating kit (to be added to the total power of the appliance)**

Power (kW)	230V 3a.c.	1
	400V 3Na.c.	1