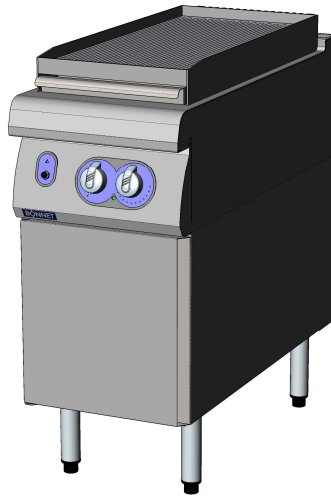


ADVANCIA, Gas cooking unit, RIBBED PLANCHA on open cupboard

**3 mm Top****FlushTop****EasyCleaningSystem****Start&Cook**

RIBBED PLANCHA B1A9PR4PG



** Shown with door
kit Accessory*

ADVANCIA ASSETS

3mmTop : One piece 3mm thick stainless steel structure.

FlushTop : Module can be butt jointed.

EasyCleaningSystem : Cooking juices recovered via a removable container in the fascia.

Start&Cook : Electric spark ignition with pilot and thermocouple.

GENERAL

- * All stainless steel construction designed to avoid any infiltration.
- * Unfailing sturdy equipment for direct wall fixation.
- * Controls grouped together and recessed protecting them for impact and spillages.
- * Appliance delivered with 200mm fixed stand with 4 adjustable feet.

PLANCHA

- * Fitted with a 15mm thick ribbed Martin steel plate, 735mm deep.
- * Stainless combustion chamber.
- * Heated by micro perforated 2 burners ensuring even temperature and continuous production.
- * Controlled by gas valves with a thermostat of 100 to 350°C.
- * A channel for collecting the cooking juice at the front of the plate.
- * Delivered with a shaped spatula for cleaning the ribbed section.

OPEN CUPBOARD

- * Cupboard suitable for GN 1/1 cookware, stainless base with raised edges to prevent drips (400mm wide).

OPTION

- * One-piece wall or central top.

ACCESSORIES

- * See technical data : General features.

STANDARDS : Compliance with standards

EN 203-1: European standard relating to the safety of gas appliances.



EN 203-2-9: European standard relating to the safety of gas appliances.

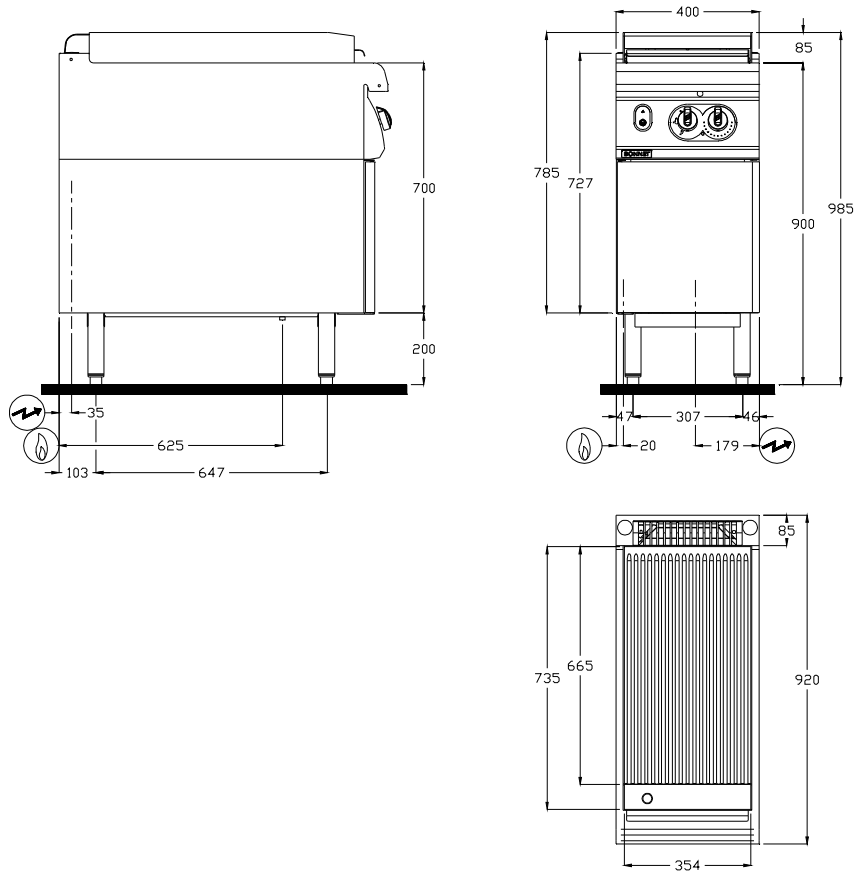
EN 60335-2-36 and EN 60335-2-49: European standards relating to the safety of electric appliances. (French standards: Classification index C 73-836 and C 73-849).

IP 25 et IK 9: Protection indexes.

XP U 60-010: Hygiene.

B1A9PR4PG

-  **GAS connection**
Gas inlet at 180mm from the floor
As standard, the appliances are supplied for G 20/20 mbar (and G 25/25 mbar) or another gas on request
-  **ELECTRICAL connection**
Electric inlet at 615mm from the floor
(Flexible cable 1.5 m in length)


DIMENSIONS (mm)

Width	400
Depth x Height	920 x 985
Plate	354 x 735
Useful surface (dm ²)	23

PACKAGING (mm)

Width	540
Depth x Height	1060 x 1150

WEIGHT (KG)

75

COMPOSITION OF TOP

Plate width 354	1
-----------------	---


COMPOSITION OF THE BOTTOM PART

Width of cupboard	400
-------------------	-----

 **GAS**

Connection Thread 15/21 mm (1/2")

Power (kW)		8.3
G31 Propane	37 ^{±4} /50 ^{±5} mbar (kg/h)	0.65
G30 Butane	28 ^{±3} /50 ^{±5} mbar (kg/h)	0.65
G20 Natural gas	20 ^{±2} mbar (m ³ /h)	0.88
G25 Natural gas	20 ^{±2} mbar (m ³ /h)	1.00
G25 Natural gas	25 ^{±3} mbar (m ³ /h)	1.00

 **ELECTRICITY (kW) (Single-phase 230V)**

Power	230V a.c.	0.1
Accessory cupboard heating kit		1