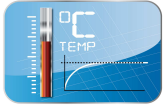
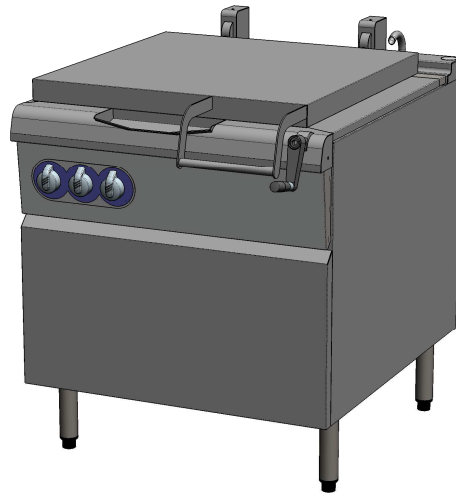


**ADVANCIA, Electric BRATT PAN 45 dm<sup>2</sup> / 80 liters (manual tilt)****BRATT PAN 45 dm<sup>2</sup> / 80 liters**  
B1A9SA45MBE**3 mm Top****FlushTop****CoreControl****ADVANCIA ASSETS**

**3mmTop** : One piece 3mm thick stainless steel structure.

**FlushTop** : Module can be butt jointed.

**CoreControl** : Power adapts with well base regulation.

**GENERAL**

- \* All stainless steel construction designed to avoid any infiltration.
- \* Unfailing sturdy equipment for direct wall fixation.
- \* Controls grouped together and recessed protecting them for impact and spillages.
- \* Appliance delivered with 200mm fixed stand with 4 adjustable feet.

**BRATT PAN**

- \* This appliance consists of a tank designed to tilt through the width of the element.
- \* Its bottom with a useful surface of 42 dm<sup>2</sup> is made of very thick stainless steel plate so as to ensure a regular heating temperature.
- \* The large format pouring funnel allows for quick and clean drainage (no dripping on the front panel) guaranteeing a constant impact point in the gutter.
- \* The hot water / cold water supply through a solenoid valve is controlled by a 4-position switch and a stainless steel filling tube.
- \* The cover is balanced by a system built in the collector for adjustment of the tension and angular thrust.
- \* Heating is regulated by a thermostat (for back temperature) + an energy regulator simmerstat (for the power) with heating indicator. A safety device switches off heating on tilting the tank.
- \* Armoured heating resistances under the bottom surface ensure uniform heating.

**MANUAL TILT**

- \* The smooth and progressive tilting of the well is achieved using a crank with a folding handle built into the well profile.
- \* This patented device ensures complete safety of operation. (The handle moves with the well and remains at an ergonomic height).

**ACCESSORIES**

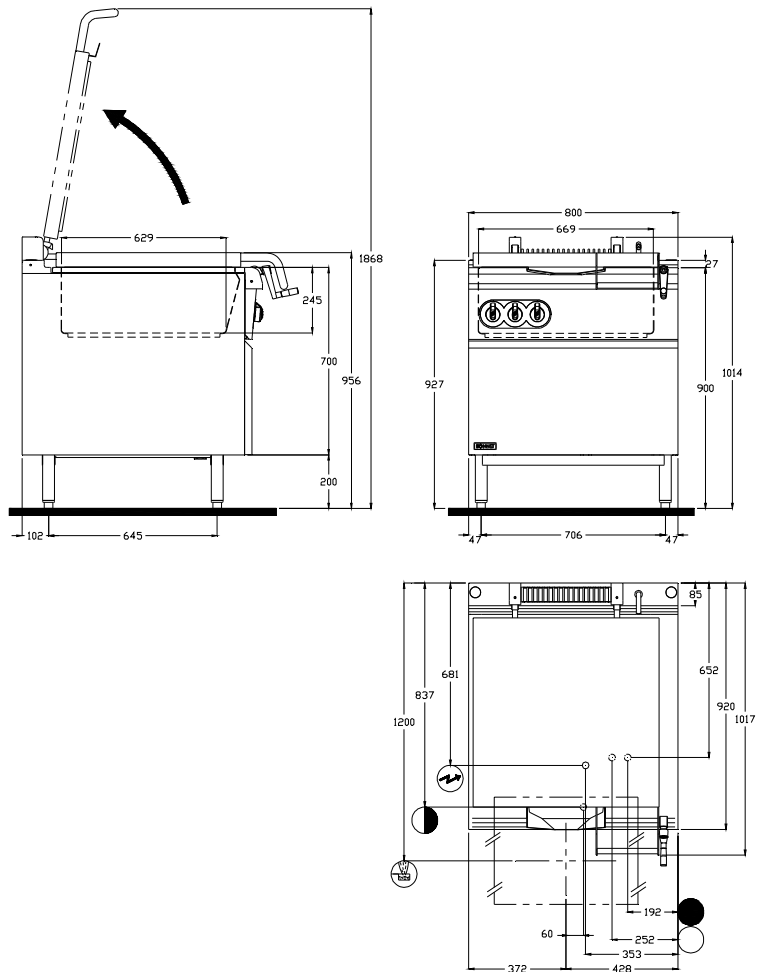
- \* See technical data : General features.






**STANDARDS : Compliance with standards**

**EN 60335-2-39**: European standards relating to the safety of electric appliances.  
(French standards: Classification index C 73-839).

**IP 25 and IK 9**: Protection indexes.

**XP U 60-010**: Hygiene.

**B1A9SA45MBE**


-  **ELECTRICAL connection**  
Electric inlet at 190mm from the floor  
(Flexible cable 1.5 m in length)
-  **POTABLE HOT WATER**  
Water inlet at 200mm from the floor
-  **POTABLE COLD WATER**  
Water inlet at 200mm from the floor
-  **GUTTER**  
Minimum dimensions 550 x 800 mm
-  **DRAIN water supply pipe purging**  
Drain outlet at 200mm from the floor

**DIMENSIONS (mm)**


Width	800
Depth x Height	1017 x 1014
Tank (Depth x Width x Depth)	245 x 669 x 629
Useful surface	42 dm <sup>2</sup>
Nominal capacity	80 liter

**PACKAGING (mm)**

Width	940
Depth x Height	1120 x 1150

**WEIGHT (KG)**

160

 **ELECTRICITY** (Three-phase 230V+E or 400V+N+E)

Power (kW)	230V 3a.c.	13.5
	400V 3Na.c.	13.5
Max. Intensity (A)	230V 3a.c.	33.9
	400V 3Na.c.	19.6

 **POTABLE COLD WATER**

Pressure (Min / Max)	150/600 kPa (1.5 bars / 6 bars)
Max temperature	30°C
Nature / Hardness	Filtered to 50 microns / Soft Max.. 40°TH (28°e, 22°h, 400ppm)
Connection	Ø 20/27 (3/4")

 **POTABLE HOT WATER**

Pressure (Min / Max)	150/600 kPa (1.5 bars / 6 bars)
Max temperature	60°C
Nature / Hardness	Filtered to 50 microns / Soft Max. 40°TH (28°e, 22°h, 400ppm)
Connection	Ø 20/27 (3/4")