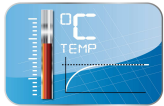
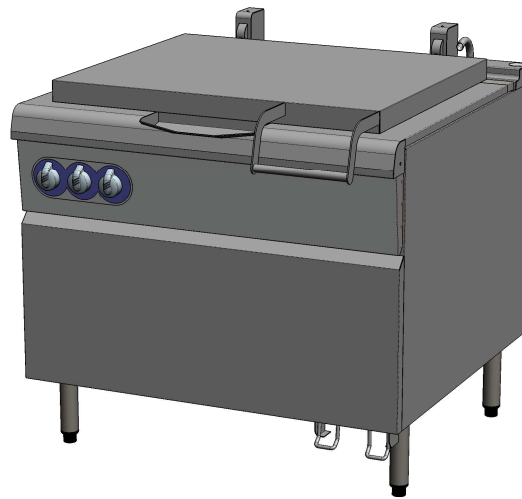


**ADVANCIA, Electric BRATT PAN 50 dm<sup>2</sup> / 97 liters (electric tilt)****BRATT PAN 50 dm<sup>2</sup> / 97 liters  
B1A9SA50EBE****3 mm Top****FlushTop****CoreControl****ADVANCIA ASSETS**

**3mmTop** : One piece 3mm thick stainless steel structure.

**FlushTop** : Module can be butt jointed.

**CoreControl** : Power adapts with well base regulation.

**GENERAL**

- \* All stainless steel construction designed to avoid any infiltration.
- \* Unfailing sturdy equipment for direct wall fixation.
- \* Controls grouped together and recessed protecting them for impact and spillages.
- \* Appliance delivered with 200mm fixed stand with 4 adjustable feet.

**BRATT PAN**

- \* This appliance consists of a tank designed to tilt through the width of the element.
- \* Its bottom with a useful surface of 51 dm<sup>2</sup> is made of very thick stainless steel plate so as to ensure a regular heating temperature.
- \* The large format pouring funnel allows for quick and clean drainage (no dripping on the front panel) guaranteeing a constant impact point in the gutter.
- \* The hot water / cold water supply through a solenoid valve is controlled by a 4-position switch and a stainless steel filling tube.
- \* The cover is balanced by a system built in the collector for adjustment of the tension and angular thrust.
- \* Heating is regulated by a thermostat (for back temperature) + an energy regulator simmerstat (for the power) with heating indicator. A safety device switches off heating on tilting the tank.
- \* Armoured heating resistances under the bottom surface ensure uniform heating.

**ELECTRIC TILT**

- \* Two foot controls (raise pedal, lower pedal) allow the well to be raised smoothly and stopped in any position by its electric ram. The tilt is limited by high and low safety systems.

**OPTION**

- \* 15mm bi-metallic base (12mm soft iron + 3mm stainless).

**ACCESSORIES**

- \* See technical data : General features.

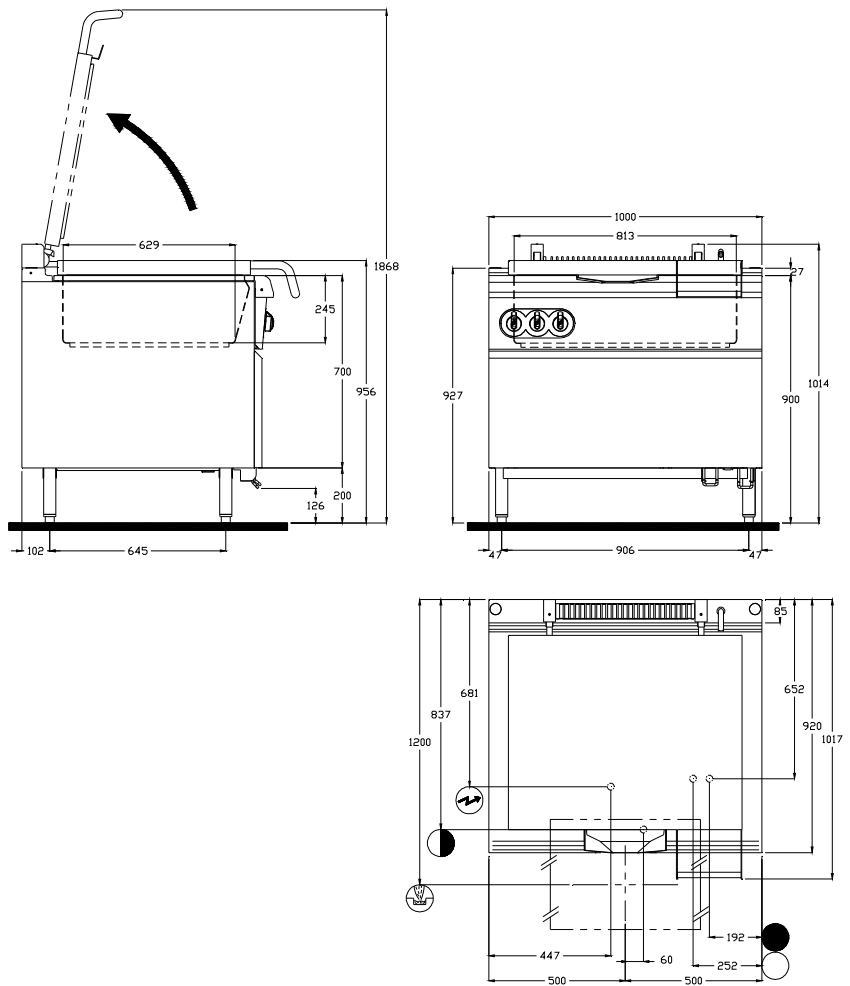
**STANDARDS : Compliance with standards**






**EN 60335-2-39**: European standards relating to the safety of electric appliances.

(French standards: Classification index C 73-839).

**IP 25 and IK 9**: Protection indexes.

**XP U 60-010**: Hygiene.

**B1A9SA50EBE**


-  **ELECTRICAL connection**  
Electric inlet at 190mm from the floor  
(Flexible cable 1.5 m in length)
-  **POTABLE HOT WATER**  
Water inlet at 200mm from the floor
-  **POTABLE COLD WATER**  
Water inlet at 200mm from the floor
-  **GUTTER**  
Minimum dimensions 550 x 800 mm
-  **DRAIN water supply pipe purging**  
Drain outlet at 200mm from the floor

**DIMENSIONS (mm)**


|                              |                    |
|------------------------------|--------------------|
| Width                        | 1000               |
| Depth x Height               | 1017 x 1014        |
| Tank (Depth x Width x Depth) | 245 x 813 x 629    |
| Useful surface               | 51 dm <sup>2</sup> |
| Nominal capacity             | 97 liter           |

**PACKAGING (mm)**

|                |             |
|----------------|-------------|
| Width          | 1390        |
| Depth x Height | 1130 x 1150 |

**WEIGHT (KG)**

200

 **ELECTRICITY** (Three-phase 230V+E or 400V+N+E)

|                    |             |      |
|--------------------|-------------|------|
| Power (kW)         | 230V 3a.c.  | 13.5 |
|                    | 400V 3Na.c. | 13.5 |
| Max. Intensity (A) | 230V 3a.c.  | 33.9 |
|                    | 400V 3Na.c. | 19.6 |

 **POTABLE COLD WATER**

|                      |   |
|----------------------|---|
| Pressure (Min / Max) | 150/600 kPa (1.5 bars / 6 bars)                               |
| Max temperature      | 30°C  |
| Nature / Hardness    | Filtered to 50 microns / Soft Max. 40°TH (28°e, 22°h, 400ppm) |
| Connection           | Ø 20/27 (3/4")  |

 **POTABLE HOT WATER**

|                      |   |
|----------------------|---|
| Pressure (Min / Max) | 150/600 kPa (1.5 bars / 6 bars)                               |
| Max temperature      | 60°C  |
| Nature / Hardness    | Filtered to 50 microns / Soft Max. 40°TH (28°e, 22°h, 400ppm) |
| Connection           | Ø 20/27 (3/4")  |